

TB5188

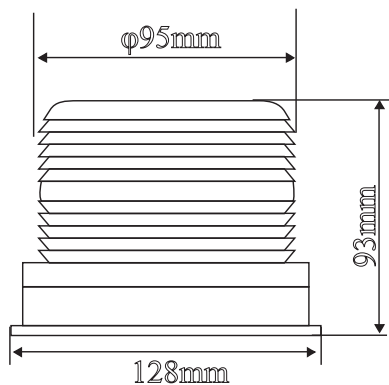
Flashing LED light beacon

Technical specification

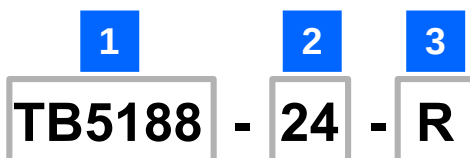
Power supply	Max. current of light for 1 layer	Max. external contact capacity	Max. current of buzzer
12V AC/DC	0,12 A	>5A	0,025 A
24V AC/DC	0,06 A	>3A	0,012 A
110V AC	0,042 A	>1A	0,038 A
230V AC	0,021 A	>1A	0,004 A

- **Technology:** LED
- **Light source:** 3528 LED
- **Mounting:** screws or magnet
- **Degree of protection:** IP44
- **Material:** PC, ABS
- **Certification:** CE

Dimensions



Order Key



1 Model

TB5188

2 Power supply

12 – 12V AC/DC 110 – 110V AC
24 – 24V AC/DC 230 – 230V AC

3 Colours

R – red  W – white 
G – green  B – blue 
O – orange 