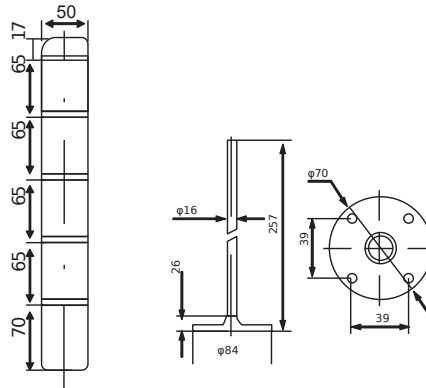


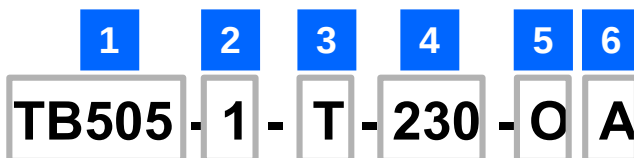
Technical specification

Power supply	Max. current of light for 1 layer	Max. external contact capacity	Max. current of buzzer
12V AC/DC	0,12 A	>5A	0,025 A
24V AC/DC	0,06 A	>3A	0,012 A
110V AC	0,042 A	>1A	0,038 A
230V AC	0,021 A	>1A	0,004 A

- **Technology:** LED
- **Light emitter:** bajonet LED bulb
- **Buzzer:** 85 dB
- **Blinking:** 80 blinks per minute
- **Degree of protection:** IP44
- **Material:** PC, ABS
- **Certification:** CE



Order Key



1 Model

TB505

4 Power supply

12 – 12V AC/DC 110 – 110V AC
24 – 24V AC/DC 230 – 230V AC

2 Colors count

1 – one color
2 – two colors
3 – three colors
4 – four colors

5 Colours

R – red ■ W – white
G – green ■ B – blue ■
O – orange ■

3 Function

T – continuous light
W – blinking
J – buzzer
TJ – continuous light + buzzer
WJ – blinking + buzzer

5 Mounting

A – angle N – direct (standard)

